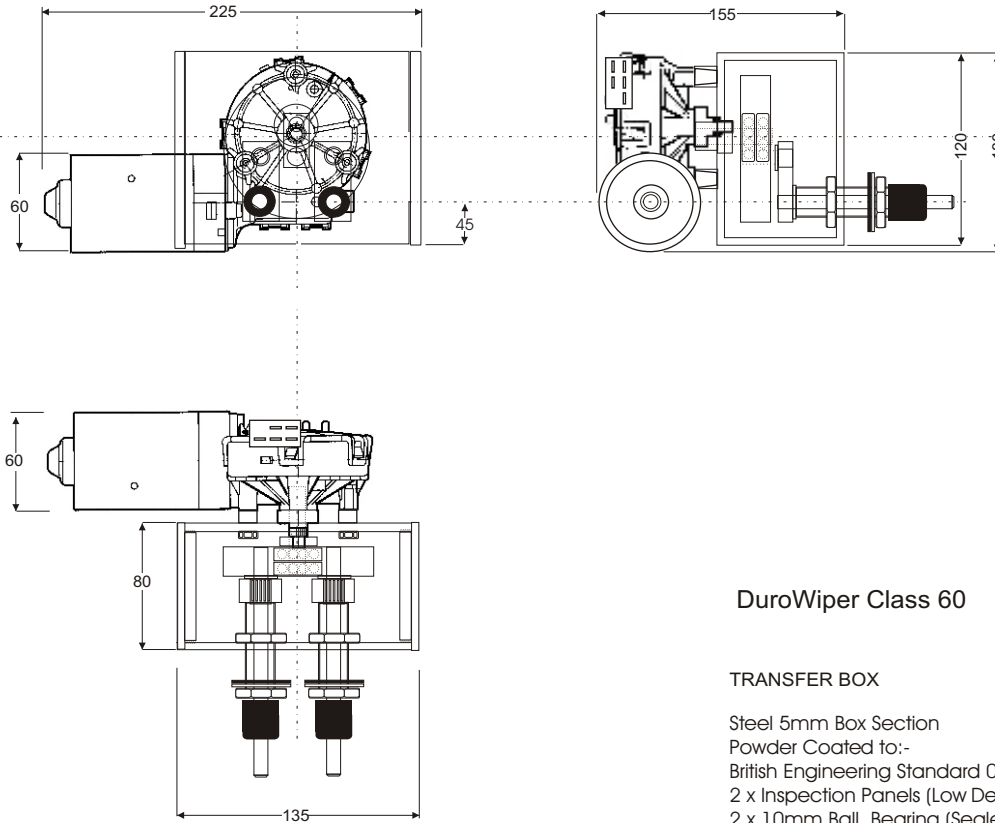


DUROWIPER CLASS 60



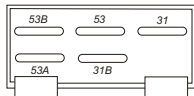
DuroWiper Class 60

TRANSFER BOX

Steel 5mm Box Section
 Powder Coated to:-
 British Engineering Standard 005 Section 22.
 2 x Inspection Panels (Low Density Polyethylene).
 2 x 10mm Ball Bearing (Sealed)
 2 x 10mm Needle Bearings.
 8 x Oilite Bushes.
 4 x G Seal Seals (Water Proof Seals).
 2 x External Seals

Bosch 24 or 12 Volt DC Isolated Earth.
 3 Amps Starting
 1.5 Amps Running.
 Twin Parallel Drive Shafts 12 mm Diameter 316
 Stainless Steel
 Distance between shafts to 50mm.
 Threaded Spindles M20 x 1mm Pitch Length
 dependant on Bulkhead thickness and any
 interfering protrusion.
 Weight :- Kilos 5.10

Motor Socket



- 53B- Fast = 2
- 53 - Slow = 1
- 31 - Negative = Green & Yellow
- 53A- Positive = 3
- 31B- Park Return = 4



DuroWipers Unit 20, Oldends Lane Ind.Est., Stonehouse, Gloucestershire, G10 3RQ
 Tel: +44(0)844 8541 551- Fax:+44(0)844 8541 550 - sales@durowipers.co.uk - www.durowipers.co.uk

DuroWipers Wiper Manufacturers

This plan and design remain the property of DuroWipers and is loaned on condition that it will not be used against their interest nor reproduced in whole or in part without permission and that it shall be returned if requested.

Drawing Number **30625**

Tolerances \pm

Material

Quantity

Date 23-03-2010

Drawn by TB

Project Class 60 24VDC

Customer